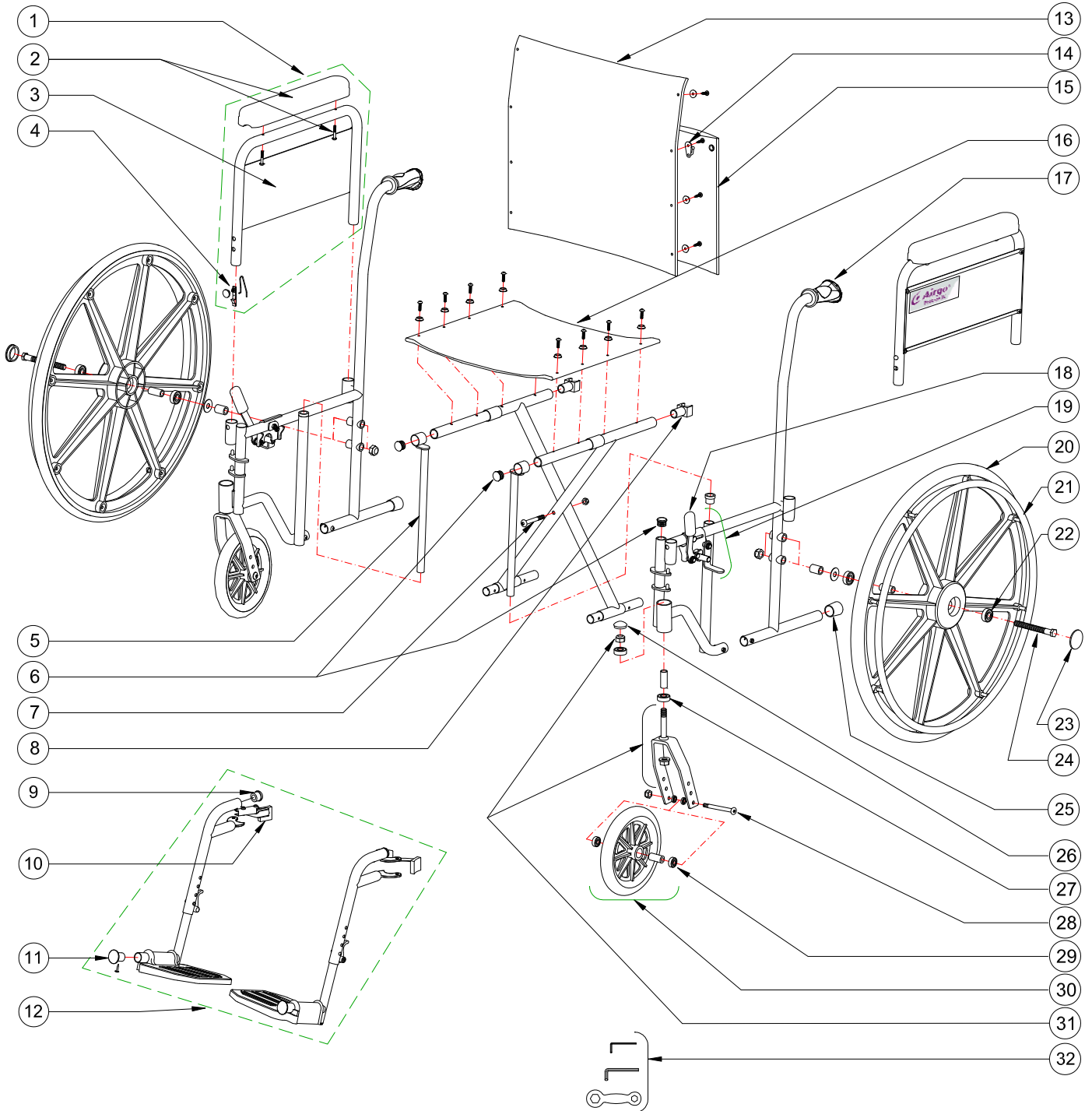


# 700-622 AIRGO-PROCARE IC WHEELCHAIR 18" WIDE DETACHABLE FULL ARMS AND SWING-AWAY FOOTRESTS



**700-622**  
**AIRGO-PROCARE IC WHEELCHAIR 18" WIDE**  
**DETACHABLE FULL ARMS AND SWING-AWAY FOOTRESTS**

Item #	AMG Part #	Description	Qty Per Unit	Sold by	UOM
1.	<b>B02-521</b>	Airgo-Procure IC Full Armrest with Hardware - Left & Right	1	1	PR
2.	<b>B02-551</b>	Airgo-Procure IC Full-Arm Pad, Black PE with Hardware - 2 ea / set	1	1	ST
3.	<b>B02-571</b>	Airgo-Procure IC Full Side Panel with Decal and Hardware – Detachable Arms - Left & Right	1	1	PR
4.	<b>B02-291</b>	Release Mechanism for Arm (Spring, Button & Latch)	2	1	EA
5.	<b>A02-660</b>	Sliding Tube Attachment, Chrome Plated	2	1	EA
6.	<b>A02-425</b>	End Plug for Seat Rail, Black Plastic	2	1	EA
7.	<b>B02-820</b>	Hardware for Crossbar Pivot (Bolt M8x75mm, 2 Curved Washers & Hex Nut)	1	1	ST
8.	<b>A02-475</b>	Rear Seat Guide, Black Plastic	2	1	EA
9.	<b>A02-430</b>	Bumper for Footrest	2	1	EA
10.	<b>B02-340 C</b>	Release Mechanism Assembly (Long Handle, 2 Bolts, 2 Hex Nuts & Spring), Left & Right – Chrome Plated	1	1	PR
11.	<b>B02-342</b>	Rubber Footplate Plug with Self-threading Screw	2	1	ST
12.	<b>B02-306</b>	Swing-Away Footrests, Tool-free Adjustable (Left & Right)	1	1	PR
13.	<b>B02-502</b>	Airgo-Procure IC Back Upholstery 18"x18", Black Vinyl, with Hardware (8 Screws, 6 Washers & 2 Washers with Hook)	1	1	EA
14.	<b>A02-801</b>	Washer with Hook - 2 ea / set	1	1	ST
15.	<b>A02-492</b>	Airgo-Procure IC Back Pocket 18", Black Vinyl	1	1	EA
16.	<b>701-015</b>	Seat Upholstery 18"x16", Black Vinyl, with Hardware (8 Screws & 8 Washers)	1	1	EA
17.	<b>A02-400</b>	Airgo-Procure IC Hand Grip, Black - Left & Right	1	1	PR
18.	<b>A02-404</b>	Airgo-Procure IC Brake Hand Grip, Black - 2 ea / set	1	1	ST
19.	<b>B02-236</b>	Pull-to-Brake Assembly for Detachable Arms W/C, Left & Right	1	1	PR
20.	<b>701-061</b>	24" Rear Mag Wheel (Grey Solid Tire Wheel with 8 Spokes, Chrome Plated Handrim, 2 Bearings & Bushing)	2	1	EA
21.	<b>701-070</b>	Handrim with Hardware (Chrome Plated Handrim, 16 Washers & 8 Hex Nuts)	2	1	EA
22.	<b>A02-311</b>	6301 Bearing (φ37xφ12x12mm)	4	1	EA
23.	<b>A02-449</b>	Hub Cap, Black	2	1	EA
24.	<b>B02-846</b>	Hardware for 24" Wheel, Detachable Arms W/C (Bolt M12x132mm, Spacer, Bearing Cover & Hex Nut)	2	1	ST
25.	<b>A02-429</b>	End Plug for Rear Frame, Black Plastic	2	1	EA
26.	<b>A02-447</b>	Front Fork Cover, Black Plastic	2	1	EA
27.	<b>A02-301</b>	6001 Bearing (φ28xφ12x8mm)	4	1	EA
28.	<b>B02-831</b>	Hardware for 8" Front Wheel (Bolt M8x78mm, 2 Spacers & Hex Nut)	2	1	ST
29.	<b>A02-302</b>	608 Bearing (φ22xφ8x8mm)	4	1	EA
30.	<b>B02-131GY</b>	8" Solid Wheel Assembly, Grey (Grey Solid Wheel with 8 Spokes, 2 Bearings & Bushing)	2	1	EA
31.	<b>B02-143</b>	Aluminum Fork for 8" Caster, Anodized Black (Fork, Stem, Hex Nut & Flange Nut)	2	1	EA
32.	<b>A02-703</b>	Tool Package (Allen Key # 4 mm & 6mm & Wrench for 13mm & 19mm)	1	1	ST