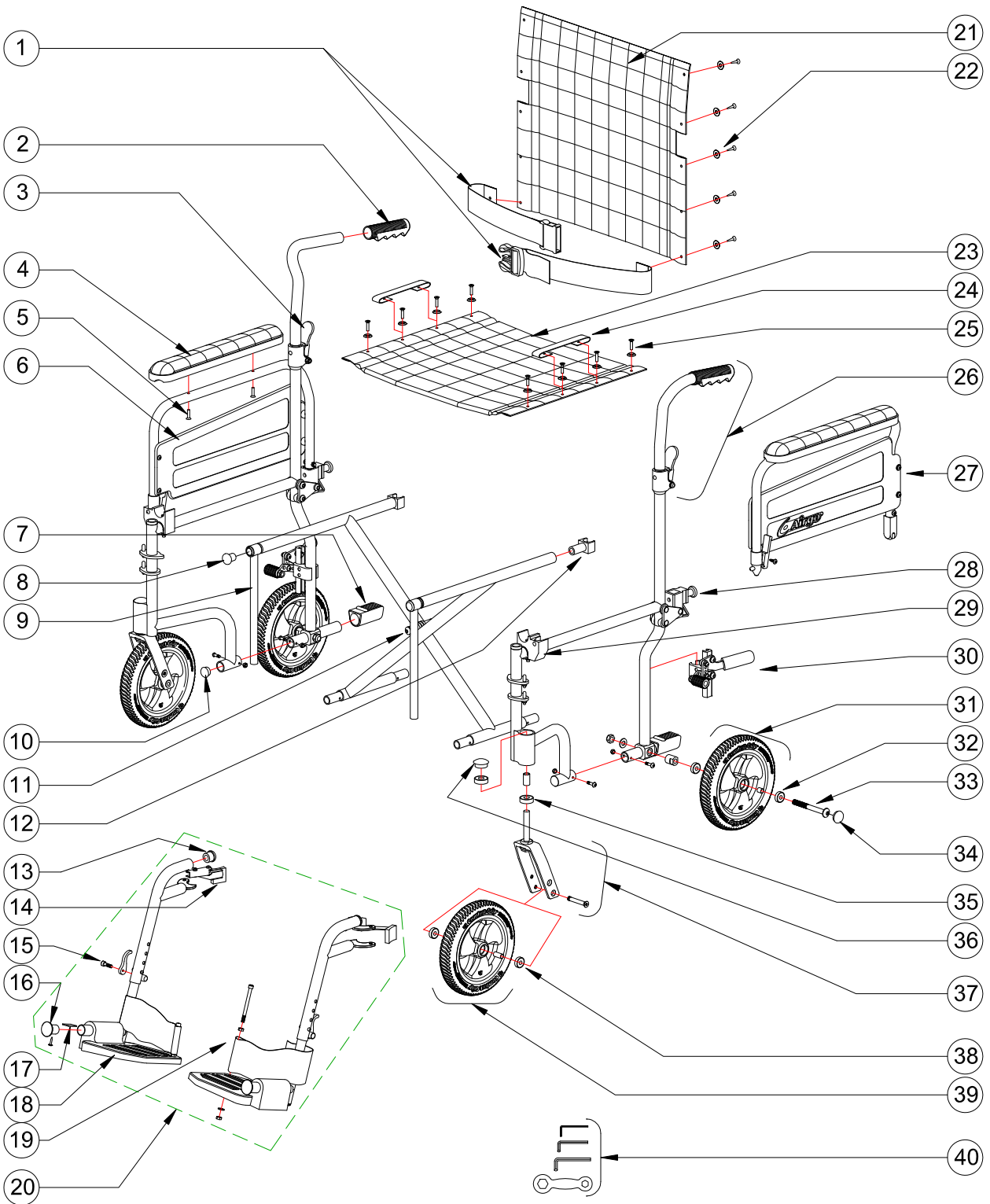


# 700-848 AIRGO LIGHT WEIGHT TRANSPORT CHAIR 19" WIDE, PLAID



**700-848**  
**AIRGO LIGHT WEIGHT TRANSPORT CHAIR 19" WIDE, PLAID**

Item #	AMG Part #	Item Description	Qty Per Unit	Sold by	UOM
1.	<b>700-864</b>	Safety Belt for Transport Chair	1	1	EA
2.	<b>A02-405</b>	Hand Grip, Black	1	1	PR
3.	<b>A02-411</b>	Release Lever to Fold Handle, Black	2	1	EA
4.	<b>A02-466</b>	Full Arm Pad, Plaid Nylon	1	1	PR
5.	<b>A02-122</b>	Hex Socket Screw (M5x30mm) – 4 ea/set	1	1	ST
6.	<b>B02-282</b>	Full Panel, Black Composite, & Hardware (4 Self-Threading Screws) L&R	1	1	PR
7.	<b>A02-421</b>	Step Tube Plug, Black	2	1	EA
8.	<b>A02-425</b>	End Plug for Seat Rail, Black Plastic	2	1	EA
9.	<b>A02-658</b>	Sliding Tube Attachment, Chrome Plated	2	1	EA
10.	<b>A02-422</b>	Plug for Frame, Black	2	1	EA
11.	<b>B02-823</b>	Hardware for Crossbar Pivot (Hex Bolt M8x75, Spring, Spring Sleeve & Hex Nut)	1	1	ST
12.	<b>A02-485</b>	Rear Seat Guide, Black Plastic	2	1	EA
13.	<b>A02-430</b>	Bumper for Footrest, Black Rubber	2	1	EA
14.	<b>B02-340B</b>	Release Handle Mechanism Assembly (Long Handle, 2 Hex Bolts, 2 Hex Nuts & Spring), Left & Right, black	1	1	PR
15.	<b>B02-492</b>	Tightening Lever for Footrest (Lever & Hex Socket Bolt M6x18mm)	2	1	ST
16.	<b>B02-344</b>	Footplate Plug with Self-threading Screw	2	1	ST
17.	<b>A02-261</b>	Footplate Leaf Spring, Stainless Steel	2	1	EA
18.	<b>A02-458</b>	Footplate, Composite	2	1	EA
19.	<b>B02-491</b>	Heel Loop with Hardware (Heel Loop, Hex Socket Bolt M6x70mm, Nut, Flat Washer & Lock Nut)	2	1	ST
20.	<b>B02-302</b>	Swing-Away Footrests, Tool-Free Height Adjustable (Aluminum Frame with Composite Footplate & Heel Loops), Left & Right	1	1	PR
21.	<b>B02-471</b>	Back Upholstery 19"x17", Plaid Nylon, with Hardware (10 Self-threading Screws & 10 Washers)	1	1	EA
22.	<b>B02-814</b>	Hardware for Back Upholstery (Socket Self-threading Screw & Washer)	10	1	ST
23.	<b>B02-421</b>	Seat Upholstery 19"x16", Plaid Nylon, with Hardware (8 Hex Screws & 8 Washers)	1	1	EA
24.	<b>A02-476</b>	Seat Strap	1	1	PR
25.	<b>B02-819</b>	Hardware for Seat Upholstery (Hex Socket Screw M5x18mm & Washer)	8	1	ST
26.	<b>B02-297</b>	Aluminum Handle with Quick Folding Mechanism (Aluminum Handle, Handle Grip & Folding Mechanism Assembly)	1	1	PR
27.	<b>B02-256</b>	Flip-Back, Fixed Height, Detachable Full Armrest, plaid, Left&Right	1	1	PR
28.	<b>B02-293</b>	Armrest Detaching Mechanism & Pivoting Socket (Black Knob, Spring, Lock Pin & Pivot Socket)	2	1	ST
29.	<b>B02-073</b>	Seat-Arm Saddle, Black Plastic, with Hardware (Socket Bolt M5x35mm, Saddle Washer & Hex Nut) L&R	1	1	PR
30.	<b>B02-211</b>	Wheel Lock Assembly for Airgo Transport Chair, Left & Right	1	1	PR
31.	<b>B02-137</b>	8" AMG Rear Wheel (AMG Design Black PU Tire 8"x1.25" with Full Hub, 2 Bearings & Bushing)	2	1	EA
32.	<b>A02-304</b>	608 Bearing (ø23xø9.5x9mm)	4	1	EA
33.	<b>B02-836</b>	Hardware for 8" Rear Wheel for Airgo T/C (Hex Socket Bolt M3/8"x100mm, 2 Simms, Washer & Hex Nut)	2	1	ST
34.	<b>A02-448</b>	Hub Cap, Black, for 8" Rear Wheel	2	1	EA
35.	<b>A02-301</b>	608 Bearing (ø22xø12x8mm)	4	1	EA

**700-848****AIRGO LIGHT WEIGHT TRANSPORT CHAIR 19" WIDE, PLAID**

36.	<b>A02-447</b>	Front Fork Cover, Black	2	1	EA
37.	<b>B02-146</b>	Aluminum Fork for 8" Caster with Bolt (Aluminum Fork, End Threaded Stem M12, Flange Nut & Bolt M8x55mm))	2	1	EA
38.	<b>A02-301</b>	6001 Bearing (ø28xø12x8mm)	4	1	EA
39.	<b>B02-135</b>	8" AMG Front Wheel (AMG Design Black PU Tire 8"x1.25" with Full Hub, 2 Bearings & Bushing)	2	1	EA
40.	<b>A02-703</b>	Tool Package (Allen Keys 4mm & 6mm and Wrench for 13mm & 19mm)	1	1	ST