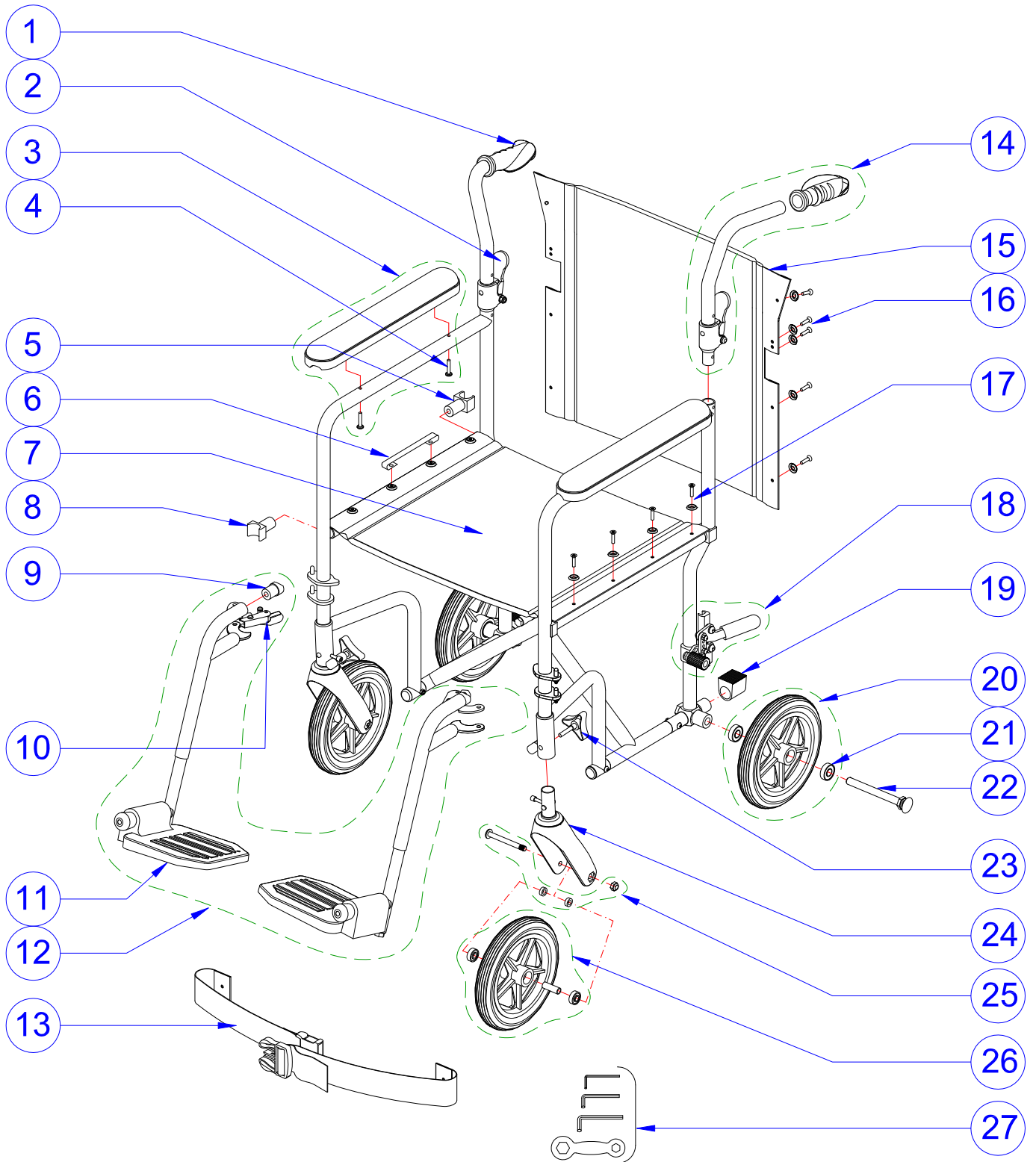


### 700-869 (MIDNIGHT-BLUE) HUGO ULTRA-LIGHT WEIGHT, KD TRANSPORT CHAIR 19" WIDE



**700-869 (MIDNIGHT-BLUE)  
HUGO ULTRA-LIGHT WEIGHT, KD TRANSPORT CHAIR 19" WIDE**

Item #	AMG Part #	Item Description	Qty Per Unit	Sold by	UOM
1.	<b>A02-401</b>	Ortho-Hand Grip, Black (L&R)	1	1	PR
2.	<b>A02-411</b>	Release Lever to Fold Handle, Black (2 ea/set)	1	1	ST
3.	<b>A02-461</b>	Full Arm Pad, Black Nylon	1	1	PR
4.	<b>A02-122</b>	Hex Socket Screw (M5x30mm) – 4 ea/set	1	1	ST
5.	<b>A02-485</b>	Rear Seat Guide, Black Plastic	2	1	EA
6.	<b>A02-476</b>	Seat Strap, Black Nylon (2 ea /set)	1	1	ST
7.	<b>B02-431</b>	Hugo Seat Upholstery 19"x15.5", Black Nylon, with Hardware (8 Hex Screws & 8 Washers)	1	1	EA
8.	<b>A02-484</b>	Front Seat Guide, Black Plastic	2	1	EA
9.	<b>A02-430</b>	Bumper for Footrest, Black	2	1	EA
10.	<b>B02-341</b>	Release Mechanism for Footrest (Handle, 2 Bolts, 2 Hex Nuts & Spring), Left & Right	1	1	PR
11.	<b>A02-458</b>	Foot Plate, Black	2	1	EA
12.	<b>B02-351</b>	Swing-Away Footrests, Midnight-Blue, Left & Right	1	1	PR
13.	<b>700-864</b>	Safety Belt for Transport Chair	1	1	EA
14.	<b>B02-081</b>	Folding Handle Bar with Release Mechanism, Midnight-Blue (L&R)	1	1	PR
15.	<b>B02-465</b>	Hugo Back Upholstery 19"x17.5", Black Nylon, with Hardware (10 Self-threading Screws M5x17mm & 10 Black Saddle Washers)	1	1	EA
16.	<b>B02-811</b>	Hardware for Back Upholstery (Hex Socket Self-threading Screw M5x17mm & Black Plastic Saddle Washer)	10	1	ST
17.	<b>B02-812</b>	Hardware for Seat Upholstery (8 Round Philips Screws M5x22mm & 8 Black Saddle Washers )	1	1	ST
18.	<b>B02-211</b>	Wheel Lock Assembly for Light Transport Chair (L&R)	1	1	PR
19.	<b>A02-421</b>	Step Tube Plug, Black	2	1	EA
20.	<b>B02-112</b>	8"x1 ¼" PU Rear Wheel, Black (Black Tire Wheel with 5 Spokes, 2 Bearings 608Z & 1 Bushing)	2	1	EA
21.	<b>A02-301</b>	608 Bearing (ø22xø8x8mm)	8	1	EA
22.	<b>B02-838</b>	Quick-Release Bolt System for Wheel	2	1	EA
23.	<b>A02-041</b>	Front Fork Secure Triangular Knob (Hex Bolt M6x35mm)	2	1	EA
24.	<b>B02-147</b>	Plastic Fork Assembly for 8" Wheel (Plastic Fork with 2 Holes, 2 Bearings 6001, Bushing, Locknut M12, Plastic Cover, Stem M12, Push-Buttons)	2	1	EA
25.	<b>B02-837</b>	Hardware for 8" Front Wheel (Hex Socket Bolt M8x75mm, 2 Spacers & Locknut M8)	2	1	ST
26.	<b>B02-111</b>	8" Solid Front Wheel Assembly, Black (Black Tire Wheel with 5 Spokes, 2 Bearings 608 & Bushing)	2	1	EA
27.	<b>A02-703</b>	Tool Package (4, 5 & 6 mm Allen Keys and Wrench for 13 & 19 mm)	1	1	ST