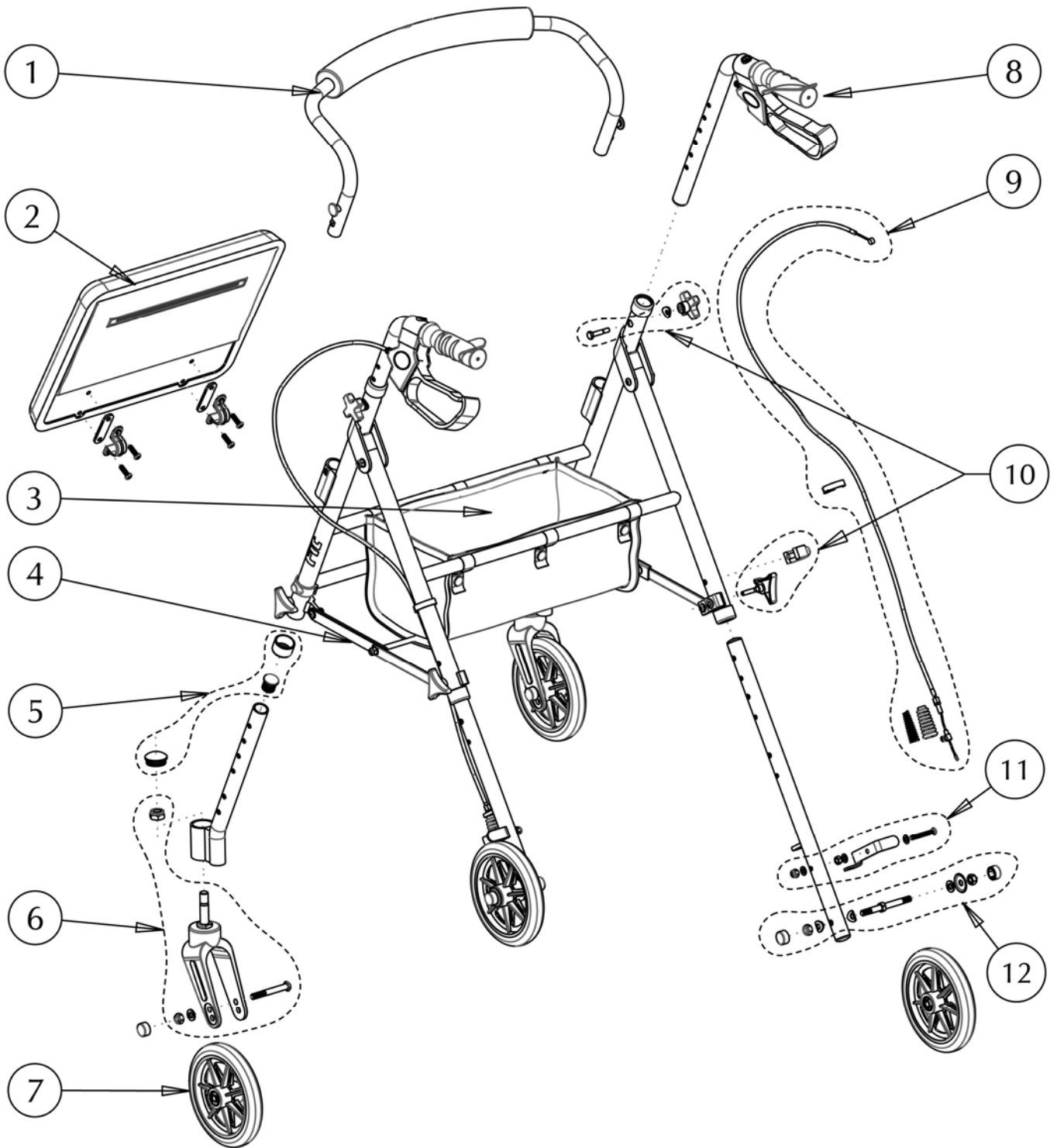


**700-913 (BLUE)**  
**HUGO FIT**  
**6"x1" WHEELS, AND CURVED BACKREST**



**700-913 (BLUE)**  
**HUGO FIT**  
**6"x1" WHEELS, AND CURVED BACKREST**

Item #	AMG Part #	Item Description	Qty total	Qty sold
1.	<b>B14-451</b>	Curved Backrest Assembly (Curved Black Tube & 19mm, Foam & 2 Release-Buttons with Springs)	1 EA	1 EA
2.	<b>B14-401</b>	Foam Seat Cushion 14" x 12" with Hardware (2 Brackets, 4 Screws & 2 Long Spacers)	1 EA	1 EA
3.	<b>A14-401</b>	Under the Seat Basket (13"x7"x6"), Black	1 EA	1 EA
4.	<b>B14-201</b>	Folding Mechanism with Hardware for Hugo-Fit	1 EA	1 EA
5.	<b>B14-861</b>	Set of Plastic Hardware (6 End Caps for 22mm Tube, 6 Anti-Rattle for 25.4mm and 2 Hub Caps for Fork Tube)	1 ST	1 ST
6.	<b>B14-151</b>	Front Fork Assembly ( 2 Plastic Fork for 6" Wheel, 4 Bearings 6061, 2 Dual Fork Bolt M12, 2 Locknuts M12, 2 Bolts M8x62mm, 2 Plastic Washers & 2 Locknuts M8)	1 PR	1 PR
7.	<b>B14-011</b>	6"x7/8" Wheel, Black (PU Tire with 7 Spoke Hub, Bushing & 2 Bearings) - 1 front pair & 1 rear pair	2 PR	1 PR
8.	<b>B14-301</b>	Handle Bars with Brake Handle Assy (Handle Bar, Brake Handle with Housing & Hardware, Left / Right Ortho-handle Grip & End Plug) - L & R	1 PR	1 PR
9.	<b>B14-351</b>	Brake Cable & Sleeve Assembly (2 Cables, 2 Sleeves, 2 Adjustment Screws, 2 Springs with 2 Spring Sleeves, 2 Cable Stoppers with 2 Screws M5x6mm, 2 Fishtail Stoppers and 2 Cable Clips)	1 ST	1 ST
10.	<b>B14-801</b>	Hardware for Handle Bar and Leg Height Adjustment ( 2 Cross-Knobs, 2 Curved Washers, 2 Hex Bolts M6x31mm, 4 Triangular Knobs & 4 E-Clips)	1 ST	1 ST
11.	<b>B14-361</b>	Bottom Brake Assembly (Bolt M6x22mm, Left Brake Pad & Nut) – L & R	1 PR	1 PR
12.	<b>B14-831</b>	Hardware for Rear Wheel (2 Dual Bolts M8, 2 Locknuts M8, 2 Curved Washers, 2 Steel Washers & 6 Hub Caps for Wheel Bolt)	1 ST	1 ST