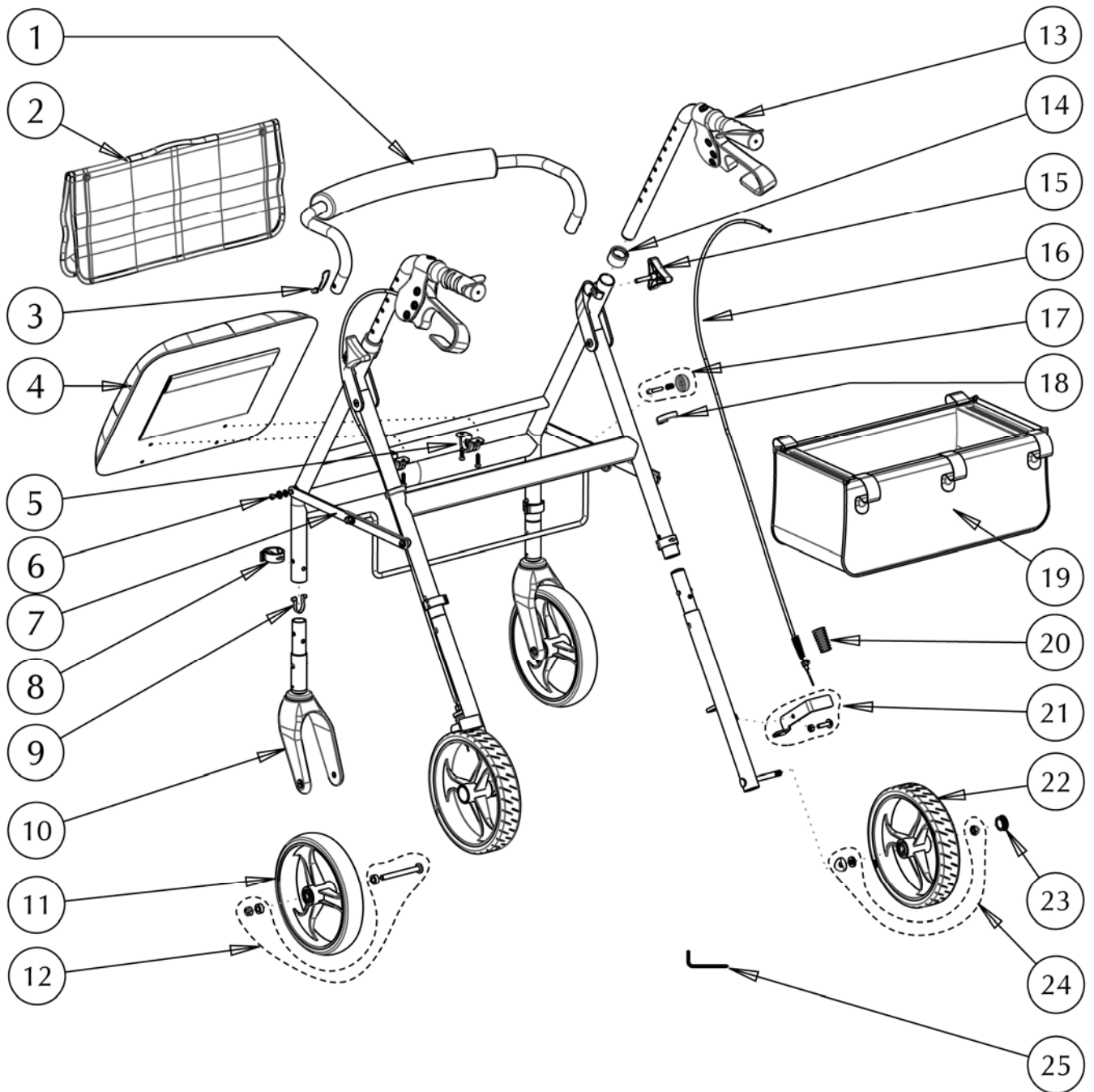


700-957 (PACIFIC BLUE) HUGO ROLLATOR 5.0



700-957 (PACIFIC BLUE) HUGO ROLLATOR 5.0

Item #	AMG Part #	Item Description	Qty Per Unit	Sold by	UOM
1.	B01-206BK	Curved Backrest Assembly (Curved Black Tube & 19mm, Foam, 2 Push-Buttons & 2 Springs)	1	1	EA
2.	A01-484	Hugo "Elite" Saddle Bag, Black	1	1	EA
3.	B01-811	Push-Button & Spring	2	1	ST
4.	B01-270	Vinyl Seat Cushion (14" x 12") with Hardware (2 Brackets, 2 Screws M5x15 & 4 Washers)	1	1	EA
5.	B01-816	Hardware for Seat (Bracket, 2 Screws M5x15mm & 2 Washers)	2	1	ST
6.	B01-824	Hardware for Folding Mechanism (4 Screws M5x6mm, 4 Steel Washers & 2 white Washers)	1	1	ST
7.	B01-085N	Folding Mechanism Complete with Locking System for Hugo	1	1	ST
8.	A01-241	E-Clip, Black – 4 ea / set	1	1	ST
9.	A01-260	Push-Buttons(dia.5.8mm) with Spring Assembly - 2ea / set	4	1	ST
10.	B01-124PB	Front Fork Assy, Pacific Blue (Plastic Fork & Pacific Blue Aluminum Tubing with Slotted Spring Pin)	2	1	EA
11.	B01-146	8"x1.4" Hugo Front Wheel (PU Tire, 3 Spokes Hub, Bushing & 2 Bearings)	2	1	EA
12.	B01-832	Hardware for 8" Front Wheel (Bolt M8x78.5mm, 2 Washers & Nut)	2	1	ST
13.	B01-024L	Left Handle Bar with Brake Handle Assy (Handle Bar, Brake Handle with Housing & Hardware, Left Ortho-handle Grip & End Plug)	1	1	EA
	B01-024R	Right Handle Bar with Brake Handle Assy (Handle Bar, Brake Handle with Housing & Hardware, Right Ortho-handle Grip & End Plug)	1	1	EA
14.	A01-206	Anti-Rattle, Plastic	2	1	EA
15.	A01-415	Triangular Knob, M6x30mm	2	1	EA
16.	B01-157	Brake Cable & Sleeve Assembly (Cable, Sleeve 860mm, Adjustment Screw, Spring, Spring Sleeve, Cable Stopper with Screw M5x6mm & Fishtail Stopper)	2	1	ST
17.	B01-090	Locking Subassembly for Folding Mechanism (Button, Spring & Pin)	1	1	ST
18.	A01-243	Cable-Clip, Black – 2 ea / set	1	1	ST
19.	A01-483	Hugo under Seat Basket (420x225x145mm), Black	1	1	EA
20.	A01-419	Spring Sleeve, Black	2	1	EA
21.	B01-159	Bottom Brake Assembly, L&R (2 Bolts M6x22mm, Left&Right Brake Pad & 2 Hex Nuts)	1	1	ST
22.	B01-147X	8"x1.5" Hugo Rear Wheel (PU Flat Tire, 3 Spokes Hub, Bushing & 2 Bearings)	2	1	EA
23.	A01-453	Hub Cap for Wheel	2	1	EA
24.	B01-845	Hardware for Rear Wheel (Locknut M8, Curved Washer & Steel Washer)	2	1	ST
25.	A01-705	#4mm Allen Key	1	1	EA