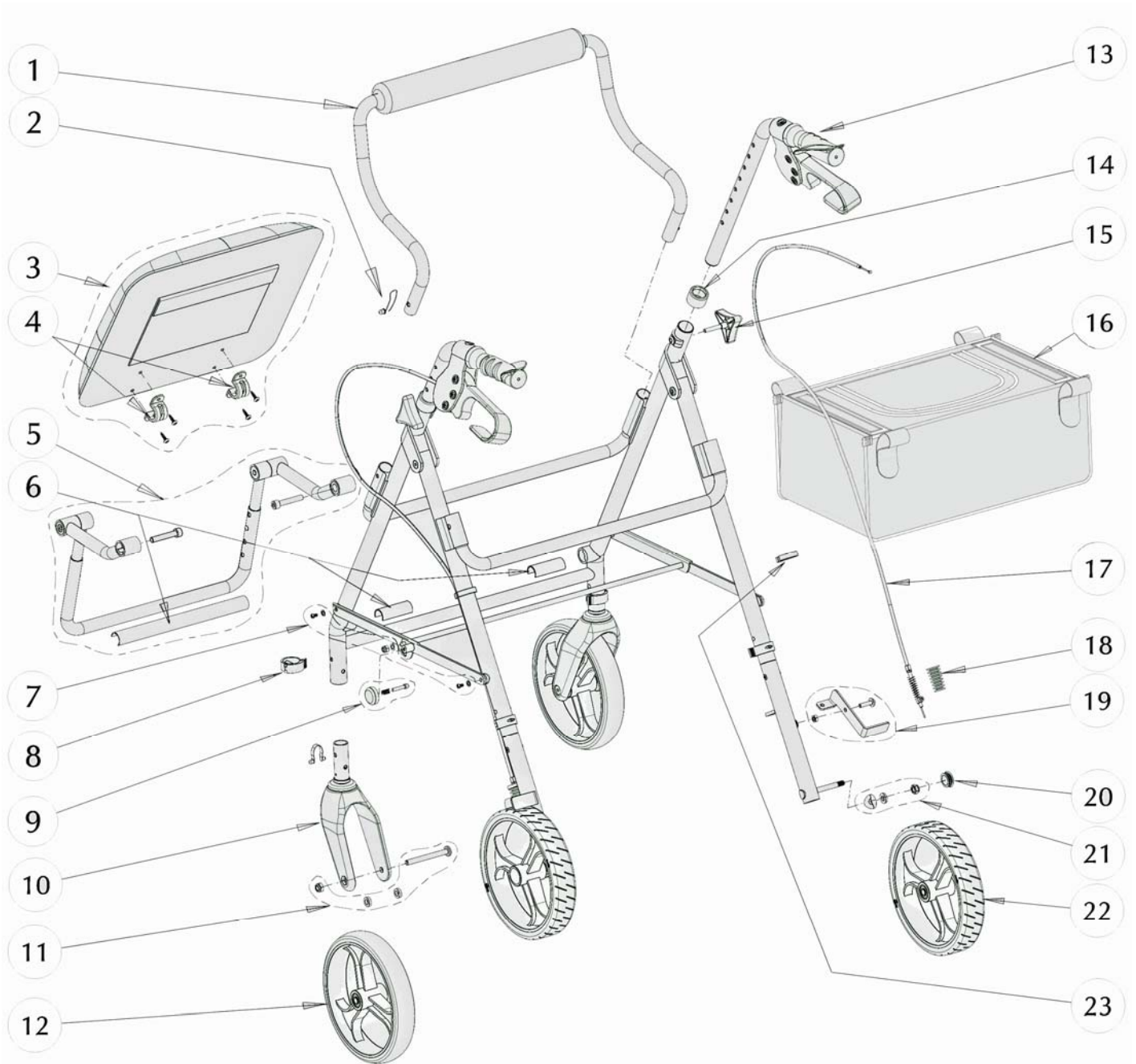


**700-991 (HUGO SWITCH)**  
**DUO-ALUMINUM ROLLATOR, INDIGO-BLUE, STANDARD-HEIGHT**  
**WITH 8" WHEELS, REVERSIBLE BACK, LOOP BRAKES AND VINYL SEAT**



**700-991 (HUGO SWITCH)  
DUO-ALUMINUM ROLLATOR, INDIGO-BLUE, STANDARD-HEIGHT  
WITH 8" WHEELS, REVERSIBLE BACK, LOOP BRAKES AND VINYL SEAT**

Item #	AMG Part #	Item Description	Qty Per Unit	Sold by	UOM
1.	<b>B01-226</b>	Backrest for Hugo-Switch (Black Tube & 19mm, Back Foam, 2 Push-Buttons & 2 Springs)	1	1	EA
2.	<b>B01-811</b>	Push-Button & Spring	2	1	ST
3.	<b>B01-270</b>	Vinyl Seat Cushion (14" x 12") with Hardware (2 Brackets, 2 Screws M5x15 & 2 Washers)	1	1	EA
4.	<b>B01-816</b>	Hardware for Seat (Bracket, 2 Screws M5x15mm & 2 Washers)	2	1	ST
5.	<b>B01-052</b>	Footrest Height-adjustable Folding Bar Assembly for 700-994 Rev2.0 (2 Side Tubing, 2 Connect Tubing, 1 "U" Shape Tubing, 8 Plastic Washers & 4 Screws M8x45mm)	1	1	EA
6.	<b>B01-049</b>	Plastic Scratch Guard Set: 1 Long - 218mm (6) & 4 Short- 55mm (6*)	1	1	ST
7.	<b>B01-824</b>	Hardware for Folding Mechanism (4 Screws M5x6mm, 4 Steel Washers & 2 white Washers)	1	1	ST
8.	<b>A01-241</b>	E-Clip, Black	4	1	EA
9.	<b>B01-090</b>	Locking Subassembly for Folding Mechanism (Red Button, Spring & Pin)	1	1	ST
10.	<b>B01-127N</b>	Detachable Front Fork Assy (Plastic Fork, Alum. Housing, Spacer, Push-Buttons & Spring, Plastic Cover, 2 Bearings, Bolt M12 & Slotted Spring-Pin)	2	1	EA
11.	<b>B01-832</b>	Hardware for 8" Front Wheel (Bolt M8x78.5mm, 2 Washers & Nut)	2	1	ST
12.	<b>B01-146</b>	8"x1.4" Hugo Front Wheel (PU Tire, 3 Spokes Hub, Bushing & 2 Bearings)	2	1	EA
13.	<b>B01-024L</b>	Left Handle Bar with Brake Handle Assy (Handle Bar, Brake Handle with Housing & Hardware, Left Ortho-handle Grip & End Plug)	1	1	EA
	<b>B01-024R</b>	Right Handle Bar with Brake Handle Assy (Handle Bar, Brake Handle with Housing & Hardware, Right Ortho-handle Grip & End Plug)	1	1	EA
14.	<b>A01-206</b>	Anti-Rattle, Plastic	2	1	EA
15.	<b>A01-415</b>	Triangular Knob, M6x30mm	2	1	EA
16.	<b>A01-495</b>	Soft Basket (370x220x170mm) for Hugo-Switch, Black	1	1	EA
17.	<b>B01-157</b>	Brake Cable & Sleeve Assembly (Cable, Sleeve 860mm, Adjustment Screw, Spring, Spring Sleeve, Cable Stopper with Screw M5x6mm & Fishtail Stopper)	2	1	ST
18.	<b>A01-419</b>	Spring Sleeve, Black	2	1	EA
19.	<b>B01-159</b>	Bottom Brake Assembly, L&R (2 Bolts M6x22mm, Left&Right Brake Pad & 2 Hex Nuts)	1	1	ST
20.	<b>A01-453</b>	Hub Cap for Wheel	2	1	EA
21.	<b>B01-845</b>	Hardware for Rear Wheel (Locknut M8, Curved Washer & Steel Washer)	2	1	ST
22.	<b>B01-147X</b>	8"x1.5" Hugo Rear Wide Wheel (PU Flat Tire, 3 Spokes Hub, Bushing & 2 Bearings)	2	1	EA
23.	<b>A01-243</b>	Cable-Clip, Black – 2 ea / set	1	1	ST