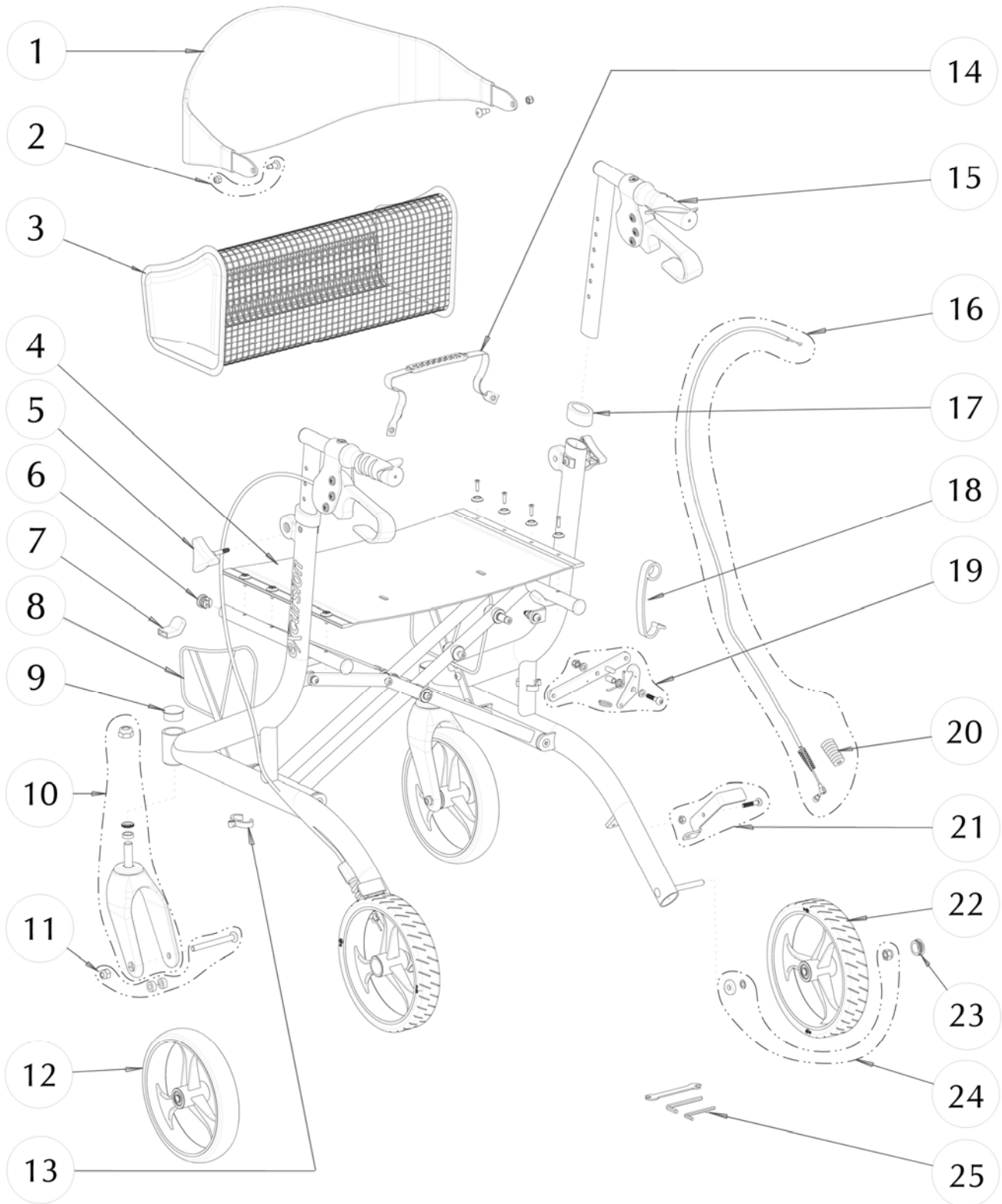


**700-981 (GARNET RED)  
EXPLORE ROLLATOR BY HUGO  
SIDE-FOLDING, AIRGO HANDLES AND COMFORT-GRIP WHEELS**



**700-981 (GARNET RED)  
EXPLORE ROLLATOR BY HUGO  
SIDE-FOLDING, AIRGO HANDLES AND COMFORT-GRIP WHEELS**

Item #	AMG Part #	Item Description	Qty Per Unit	Sold by
1.	<b>A01-121</b>	Hugo Full Contoured Backrest, Black	1 EA	1 EA
2.	<b>B01-861</b>	Hardware for Backrest (2 Special Bolts M6x16mm & 2 Hex Locknuts)	1 ST	1 ST
3.	<b>A01-631</b>	Soft Basket for eXplorer by Hugo, Standard-Height	1 EA	1 EA
4.	<b>B01-281</b>	Nylon Foldable Seat (17.5" x 12") with Hardware (8 screws M4x14mm & 8 Black Plastic Washers)	1 EA	1 EA
5.	<b>A01-416</b>	Triangular Knob, M6x30mm – 2ea / set	1 ST	1 ST
6.	<b>B01-601</b>	Caps for Seat Tubing, Black (2 Front Caps & 2 Rear Caps)	1 ST	1 ST
7.	<b>A01-450</b>	Seat Support Bracket Cover, Black - 2 ea / set	1 ST	1 ST
8.	<b>B01-871</b>	Mounting Brackets with Hardware	1 ST	1 ST
9.	<b>A01-455</b>	Cap for Front 34mm Tubing, Black – 2ea / set	1 ST	1 ST
10.	<b>B01-303</b>	Front Fork Subassy,(Black Plastic Fork, 2 Bearings, Fork Cover, Fork Bolt M12x65mm, Aluminum Spacer, Spring-Washer & Locknut M12)	2 EA	1 EA
11.	<b>B01-832</b>	Hardware for 8" Front Wheel (Bolt M8x78.5mm, 2 Aluminum Spacers & Hex Nut M8)	2 ST	1 ST
12.	<b>B01-146</b>	8"x1.4" Hugo Front Wheel (PU Tire, 3 Spokes Hub, Bushing & 2 Bearings)	2 EA	1 EA
13.	<b>A01-244</b>	Oval Cable-Clip, Black – 2 ea / set	1 ST	1 ST
14.	<b>A01-286</b>	Seat Strap, Black	1 EA	1 EA
15.	<b>B01-016</b>	Handle Bar with Brake Handle Assy (Handle Bar, Brake Handle with Housing & Hardware, Ortho-handle Grip & End Plug) – L & R	1 PR	1 PR
16.	<b>B01-157</b>	Brake Cable & Sleeve Assembly (Cable, Sleeve 860mm, Adjustment Screw, Spring, Spring Sleeve, Cable Stopper with Screw M5x6mm & Fishtail Stopper)	2 ST	1 ST
17.	<b>A01-211</b>	Oval Anti-Rattle, Black Plastic – 2ea / set	1 ST	1 ST
18.	<b>A01-282</b>	Fold Stopper Strap, Orange Plastic	1 EA	1 EA
19.	<b>B01-881</b>	Open Seat Mechanism (Right Link Bar, Bolt M6x28mm, Alum. Bracket, Spring, Chromed Ring, Brass Sleeve, 2 Grey Plastic Washers & Hex Nut M6)	1 ST	1 ST
20.	<b>A01-419</b>	Spring Sleeve, Black	2 EA	1 EA
21.	<b>B01-159</b>	Bottom Brake Assy, L&R (2 Bolts M6x22mm, Left & Right Brake Pad & 2 Hex Nuts)	1 ST	1 ST
22.	<b>B01-147X</b>	8"x1.5" Hugo Rear Wheel (PU Flat Tire, 3 Spokes Hub, Bushing & 2 Bearings) - 2ea / pair	1 PR	1 PR
23.	<b>A01-453</b>	Hub Cap for Rear Wheel	2 EA	1 EA
24.	<b>B01-845</b>	Hardware for Rear Wheel (Locknut M8, Curved Washer & Steel Washer)	2 ST	1 ST
25.	<b>A01-712</b>	Tool Package of 3 ( #4mm, #5mm Allen Keys & 8-10mm Wrench)	1 ST	1 ST